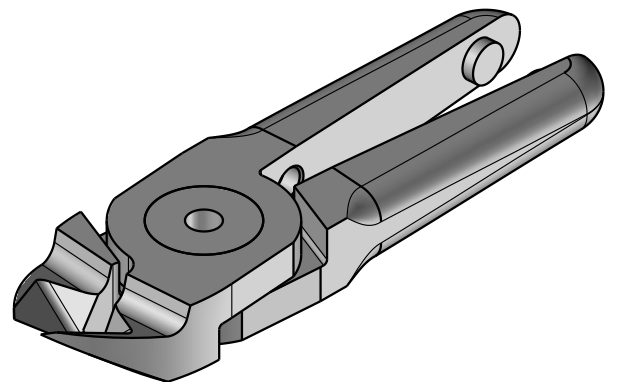
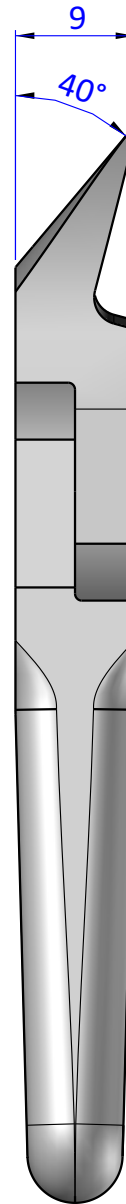
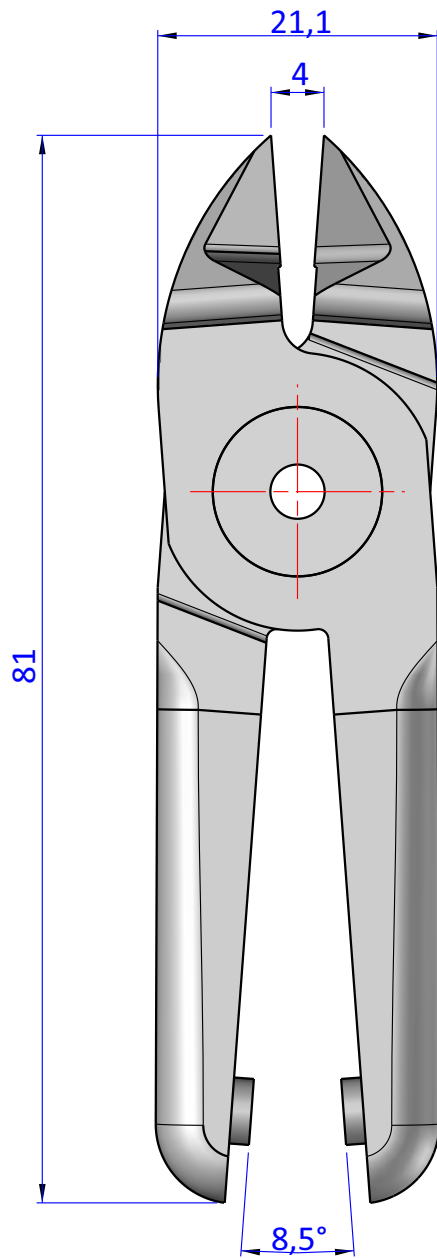
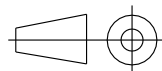


THE PROPERTY OF THE DRAWING IS ESTABLISHED BY LAW. IT IS FORBIDDEN TO PRODUCE OR SHOW IT TO THIRD PART. WITHOUT A WRITTEN AGREEMENT.



FPSERVICES AUTOMATION



DESIGNED FROM

FPS Automation

REVIEW

A

DATE

22/10/2020

WEIGHT

0,080kg

CODE

VES.N7PF

Format A4

UNI 936-76

GENERAL TOLERANCE

UNI - ISO 2768

CLASSE f

DESCRIPTION

VES.N7PF